



Introduction

The d 20 Ex 2-21 IECEx repeater allows remote weight information display when the industrial process requires it.

It can be installed in a hazardous zone where there are risks associated with the presence of dust (zone 21 and 22) and/or gas (zone 2).

It is suitable for connection to a wide range of Precia-Molen weight indicators and terminals.

In addition to the weight display function, the d 20 Ex 2-21 IECEx can be used as a totaliser pulse counter or as a digital display of any 0-10 V or 4-20 mA analogue output.

Its impervious stainless steel housing allows a direct implementation in the most demanding work environment.

CE Compliance

- Compliant with the European Directive on Electromagnetic Compatibility.

Ex Certification

- Compliant with the European ATEX Directive relating to equipment and protective systems intended for use in potentially explosive atmospheres and to the IECEx standards.
- Marking according to EN 60079-0:2012
 - II3G Ex nA IIC T4/T6* Gc
 - II2D Ex tb IIIC T85°C Db

* T4 with an option card

Environmental Characteristics

- Power supply : 9 to 30 V DC
- Max power consumption : 14 W
- Connections on spring loaded terminals
- Usage temperature - 20 °C / + 55 °C* (10 to 85 % max. relative humidity without condensation)
- Storage temperature..... - 20 °C / + 55 °C
- Protection rating IP66
- Impact resistance..... IK07

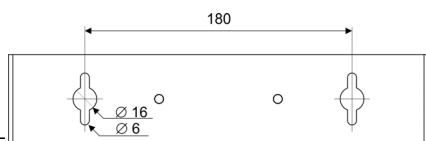
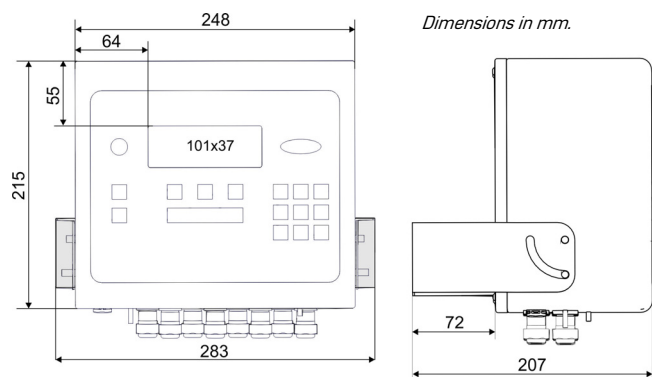
Display

- FSC (Field Sequential Colour) segments technology
- Configurable 7 colour backlighting
- Weight display on 7 x 25 mm high digits
- 10 x 8 mm high character text area
- Weight unit : g, kg, t and lb. Other configurable units (3 characters).
- Communication, metrological and activity indicator
- High viewing angle and contrast
- French / English bilingual messages

Keypad

- Sensitive touch control keys.
- 5 metrological keys :
 - Zero
 - Taring
 - Gross weight recall
 - Weighing range selection
 - Channel selection
- 3 menu control keys
- 4-key directional keypad

Physical Characteristics



- Stainless steel 304L
- Weight: 4 kg
- Includes a swivelling universal bracket for tabletop, wall or column installation.

Communication

- RS232/RS485 configurable port.
- PM A+ master and PM A+ slave protocols

Setting

The setting can be made :

- Via the display front panel,
- Via PC and internet browser.

Parameter backup / restore on µSD card or PC.

Accessories Supplied

- Translucent front protection shell, may be kept in place during use.

Options

CANopen field bus

Enables the repeater to be connected to an I 400 network of transmitters and indicators.

The configuration defines the channel numbers (from 1 to 31) which will be displayed on the d 20 Ex 2-21 IECEx. For each setting, a 10 character text field allows clear channel identification



During operation, a specific key allows the selected channel to be displayed.

In addition, an advanced mode allows enables the display of any data sent over the CANopen bus.

PMNet* card

Enables direct connection of the d 20 Ex 2-21 IECEx to the PMN network and PRECIA MOLEN digital measuring chains.

4-20 mA analog input*

Enables the d 20 Ex 2-21 IECEx to be a digital display for any 0-10 V or 4-20 mA analogue signal.

- Max. voltage 10.6 V
- Max. current 22 mA.
- Zero, full scale and decimal point settings.
- In 4-20 mA mode, the negative values in the 0-4 mA range can be displayed.

* Exclusive Options

Parts counting input

Enables the d 20 Ex 2-21 IECEx to be used in parts counting mode.

- 2 galvanically isolated 8-30V DC max. digital inputs current of 15 mA :
 - Rising edge counting input, max. frequency 500 Hz.
 - Reset to zero input
- Debounce setting (2-25 ms).
- Multiplier and increment value setting.

Internal power supply

- Voltage 100-240V AC 50/60Hz
- Power consumption 0.35 A



Your specialist

Non contractual illustrations. Precia-Molen reserves the right to alter the characteristics of the equipment described in this brochure at any time.

Head Office & Plant PRECIA-MOLEN
 BP 106 - 07000 Privas - France
 Tel. 33 (0) 475 664 600
 Fax 33 (0) 475 664 330
 E-MAIL webmaster@preciamolen.com

RCS: 386 620 165 RCS Aubenas

