



## Introduction

The I410 G coupler is part of the PRECIA-MOLEN I410 range. It ensures the interface between the CAN Open native bus and the client's automation system field bus.

Various models are available depending on the implemented field bus:

- ▼ Profibus DP,
- ▼ DeviceNet,
- ▼ Ethernet Modbus-TCP,
- ▼ EtherNet /IP,
- ▼ ProfiNet,
- ▼ Modbus RTU.

Via the coupler, the PLC can access all the weighing information that is managed by the standard I410 applications: PWS, SDU, MDU, CKW, ABS, SBS/MBS, GFS, WBF, LIW.

## European compliance

- *Electromagnetic Compatibility*: compliant with the requirements of the Directive 2004/108/CE

## Display

- Segment FSC (Field Sequential Color) technology
- 7-colour configurable back-lighting
- Display on 7 25-mm high digits
- 10 8mm-high character text area
- Communication activity lights
- High vision angle and contrast
- French/English messages

## Keyboard

- Touch-sensitive keys
- 3 menu control keys

## Environmental features

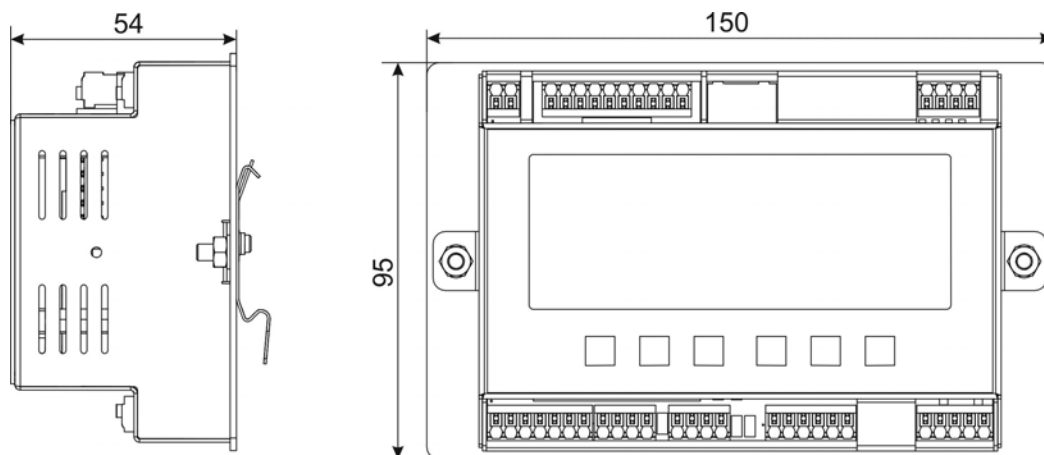
- Power supply: 9 to 30 V DC
- Maximum consumption : 2,7 W
- Connections on spring terminals
- Use temperature: - 20 °C / + 55 °C to 80 % max of relative humidity without condensation
- Storage temperature : - 20 °C / + 55 °C to 90 % max of relative humidity without condensation



**Modbus-TCP**



## Physical features



Dimensions in mm

- Fitting on Omega 35 mm DIN rail EN 50022/EN60715
- Stainless steel casing.
- IP30 Waterproofness
- 450 g weight

## Configuration

The configuration can be done:

- via the front panel,
- with a PC using a simple Internet browser.

Saving/restoring parameters on µSD board (optional) or CD-Rom.

## Supervision

Display in real time of PLC input and output tables corresponding to the selected standard application.



Assistant de Configuration

# I410G SDU

[CONFIG >](#)

Example:  
SDU software

OUT (I410G->PLC)	
BRUT1	1030
TARE1	2
NET1	1028
ID TERMINAL1	0
NUM DSD1	0
STATUS CDE1	25
ETAPE1	0
BRUT2	2502
TARE2	0
NET2	2502
ID TERMINAL2	0
NUM DSD2	0
STATUS CDE2	26
ETAPE2	0
BRUT3	6020
TARE3	10
NET3	6010
ID TERMINAL3	0
NUM DSD3	0
STATUS CDE3	24
ETAPE3	0
BRUT4	1002
TARE4	0
NET4	1002

IN (PLC->I410G)	
CONSIGNE1	0
PETITE VITESSE1	0
ERREUR JETEE1	0
TOLERANCE+1	0
TOLERANCE-1	0
SEUIL MINI1	0
PARAM DOSAGE1	0
COMMANDE1	0
CONSIGNE2	0
PETITE VITESSE2	0
ERREUR JETEE2	0
TOLERANCE+2	0
TOLERANCE-2	0
SEUIL MINI2	0
PARAM DOSAGE2	0
COMMANDE2	0
CONSIGNE3	0
PETITE VITESSE3	0
ERREUR JETEE3	0
TOLERANCE+3	0
TOLERANCE-3	0
SEUIL MINI3	0
PARAM DOSAGE3	0
COMMANDE3	0

Your specialist

Illustrations not contractual. Precia-Molen reserves the right to alter the characteristics of the equipment described in this brochure at any time.

**PRECIA-MOLEN Headquarters & Factory**  
 BP 106 - 07000 Privas - France  
 Tel. 33 (0) 475 664 600  
 Fax 33 (0) 475 664 330  
 E-MAIL webmaster@preciamolen.com

RCS: 386 620 165 RCS Aubenas

