



General description

The Ci 20 scale is the result of PRECIA MOLEN's experience, know-how and research in a precise, simple and ergonomic product designed for professional and industrial use. In all applications, the Ci 20 range adapts to your environment and use conditions.

Thanks to its easy to clean ABS design, its stainless steel platform and its 4 skid-proof adjustable legs offering perfect stability, it can meet all the demands of a severe industrial atmosphere.

The simplicity of use, the reliability and the robustness of the scales in this range offer a very simple to very complex solution for your inventories, packagings, productions, mixes,

The following qualities makes it outstanding:

It is equipped with a touch keyboard and a new-technology FSC-LCD colour display that displays the weight on 7 25-mm high characters and additional informations on 10 8-mm characters.

It offers an integrated power supply which prevents using an external mains power pack, a saved date and time function and a 300,000-record DSD*.

An optional lithium battery with a charge indicator makes it autonomous for an intensive work day and available the day after thanks to a short charging time.

Metrological certification

- ▼ NAWI directive

Compliance

- ▼ Low Voltage European Directive
- ▼ Electromagnetic European Compatibility Directive

Functionalities

- ▼ Simple weighing
- ▼ Counting
- ▼ Control +/-
- ▼ Formulation
- ▼ Calculation

Available models

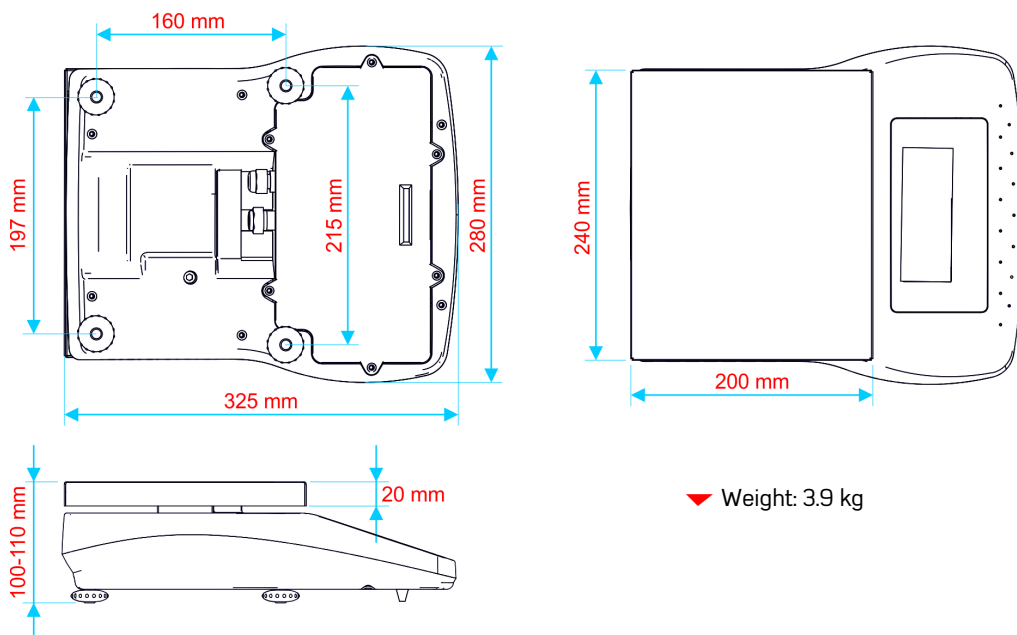
Comes with 4 capacities, for Legal for Trade use or non Legal for Trade use:

Capacity	LT		NT (d)
	e	HR	
1.5 kg	0.5 g	0.1 g	0.1 g
3 kg	1 g	0.1 g	0.2 g
6 kg	2 g	0.2 g	1 g
20 kg	5 g	1 g	1 g

* Data Storage Device for weigh tracking (option).

Technical data

Physical characteristics



Power supply

- ▼ Mains supply
 - Tension 90-230 V
 - Frequency 50-60 Hz
 - Consumption 0.35 A
- ▼ Supply with internal battery (option)
 - Autonomy:
 - Backlighting off 48 h
 - Backlighting at maximum 16 h
 - Loading time
 - From 0 to 100 % 8 h
 - From 80 to 100 % 4 h

Environment

- ▼ Temperature range
 - Operating - 10 °C / + 40 °C
 - Storage - 20 °C / + 60 °C
- ▼ Water sealing According to IP65

Communication



- ▼ RS 232 link**

Delivered accessories

- ▼ Mains supply cable (3-m length)
- ▼ Protection cover

** The Ci 20 scale only has one possible output. This link can be replaced by another type of output in option (communication or logic inputs/outputs).

Options & Accessories

Battery	Data storage	Communication	Logic inputs/outputs
<ul style="list-style-type: none"> ▼ Internal battery and pluggable supply cable (3 m long) 	<ul style="list-style-type: none"> ▼ Storage on µSD card <ul style="list-style-type: none"> • Alibi memory (DSD) • Settings and files storage 	<ul style="list-style-type: none"> ▼ USB link for connection to a PC ▼ RS 485 link ▼ Ethernet ▼ Bluetooth interface 	<ul style="list-style-type: none"> ▼ Input/output interface (with galvanic isolation) <p>Input</p> <ul style="list-style-type: none"> • 2 channels..8 to 30 V DC <p>Output</p> <ul style="list-style-type: none"> • 4 channels..48 V / 100 mA

Your specialist

Illustrations not contractual. Precia-Molen reserves the right to alter the characteristics of the equipment described in this brochure at any time.

PRECIA-MOLEN Headquarters & Factory
 BP 106 - 07000 Privas - France
 Tel. 33 (0) 475 664 600
 Fax 33 (0) 475 664 330
 E-MAIL webmaster@preciamolen.com

RCS: 386 620 165 RCS Aubenas

