



## General description

The Ci5 scale has been designed to meet all your requirements for all simple weighing applications. Priority has been given to use and installation ease.

Thanks to its easy-to-clean ABS design, its stainless steel platform and its 4 skid-proof adjustable legs offering perfect stability, it can meet all the demands of a severe industrial atmosphere.

Its backlit capacitive touch screen (technology identical to touch screens) limits wear as much as possible whilst allowing to wear working gloves. Its large-sized display (33 mm-high digits) and its high-contrast backlighting ensures perfect readability.

It offers an integrated power supply which prevents using an external mains power pack, a saved date and time function and a 50,000-record DSD\*.

It includes an RS 232 or USB-type serial link to be combined with a printer or a PC.

An optional lithium battery with a charge indicator makes it autonomous for an intensive work day and available the day after thanks to a short charging time. An also optional Bluetooth interface allows to monitor the scale remotely from your PC, smartphone or tablet and the display of the result up a to distance of 100 metres.

## Metrological certification

- ▼ NAWI directive

## Compliance

- ▼ Low Voltage European Directive
- ▼ Electromagnetic Compatibility European Directive

## Functionalities

The Ci5 scale offers in a compact format all the basic applications you can expect for standard weighing, animal weighing and parts counting.

With the integration of unique functions such as:

- ▼ timed hold of a weigh result (**HOLD**),
- ▼ automatic tare of the container,
- ▼ automatic reset to zero after weighing,

operators can limit their interventions and improve their productivity.

## Available models

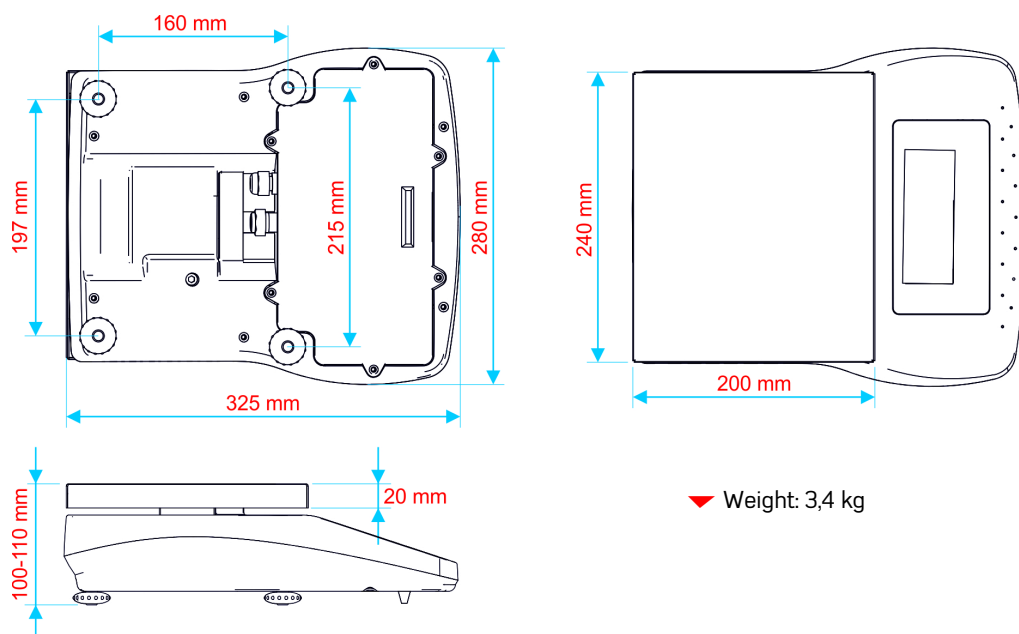
Comes with 4 capacities, for Legal for Trade use or non Legal for Trade use:

Capacity	LT		NT (d)
	e	HR	
1,5 kg	0.5 g	0.1 g	0.1 g
3 kg	1 g	0.1 g	0.2 g
6 kg	2 g	0,2 g	1 g
20 kg	5 g	1 g	1 g

\* Data Storage Device for weigh tracking.

## Technical data

### Physical characteristics



### Power supply

- ▼ Mains supply
  - Tension ..... 110-240 V
  - Frequency ..... 50-60 Hz
  - Consumption ..... 0.2 A
- ▼ Supply with internal battery (option)
  - Autonomy:
    - Backlighting off ..... 55 h
    - Backlighting at maximum ..... 20 h
  - Loading time
    - From 0 to 100 % ..... 7 h
    - From 80 to 100 % ..... 4 h

### Environment

- ▼ Temperature range
  - Operating ..... - 10 °C / + 40° C
  - Storage ..... - 20 °C / + 60 °C

### Communication

- ▼ RS 232 or USB link

### Delivered accessories

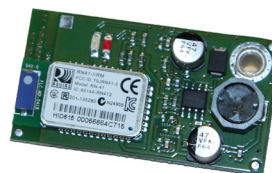
- ▼ Mains supply cable (3-m length)
- ▼ Protection cover

## Options & Accessories

### Ion lithium battery



### Bluetooth interface



### Your specialist

Illustrations not contractual. Precia-Molen reserves the right to alter the characteristics of the equipment described in this brochure at any time.

**PRECIA-MOLEN Headquarters & Factory**  
 BP 106 - 07000 Privas - France  
 Tel. 33 (0) 475 664 600  
 Fax 33 (0) 475 664 330  
 E-MAIL webmaster@preciamolen.com

RCS: 386 620 165 RCS Aubenas

**PRECIA  
 MOLEN™**  
**WORLDWIDE WEIGHING**